

MN68/26

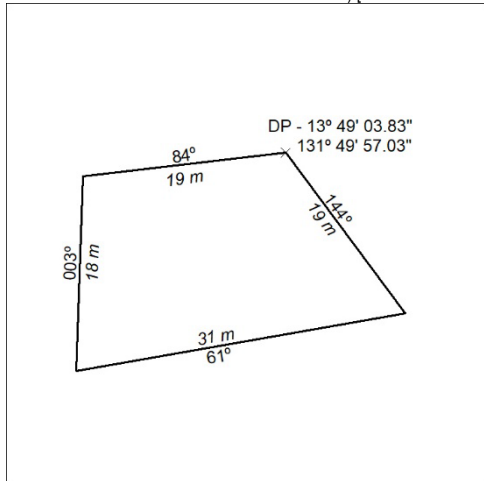
DARWIN

29 June 2026

**Mineral Titles Act 2010**

**NOTICE OF LAND CEASING TO BE A MINERAL TITLE AREA**

Title Type and Number:	Authorised Holdings (Northern) 2
Area ceased on:	29 June 2026
Area:	.00 Hectare
Locality:	PINE CREEK
Name of Applicant(s)/Holder(s):	100% J. AH TOY PROPRIETARY LIMITED (ADMINISTRATOR APPOINTED) [ACN. 009 592 812]



185/26