

Light Vehicle Inspection Manual

Appendix G Mudguard and Mudflap Requirements

Appendix G - Mudguard and Mudflap Requirements

Effective mudguards must be fitted for all wheels on all vehicles.

However, this does not apply to a vehicle if the construction or use of the vehicle makes the fitting of mudguards unnecessary or impractical – such as most road making plant vehicles or some agricultural equipment vehicles.

Mudguards may include parts of bodywork, etc. and must cover the full width of the wheels and tyres in the case of rear wheels on trucks, buses and trailers.

For passenger cars, the full width of the tyre at the top of the tyre must be covered when the wheels are in the straight ahead position – refer to **Figure 1**.

For motorcycles, side-cars and trikes, guards must cover the tyre section width at all times – refer to *Section 12 Motorcycles of this manual*.

Mudguards must be fitted to the vehicle in such a manner that, when the vehicle is unladen, the height of the lowest edge of the mudguard, when measured from the ground, does not exceed 230 mm from the ground. In the case of off road and commercial vehicles and trailers, 300 mm from the ground and cover the area of the wheel – refer to **Figure 2**.

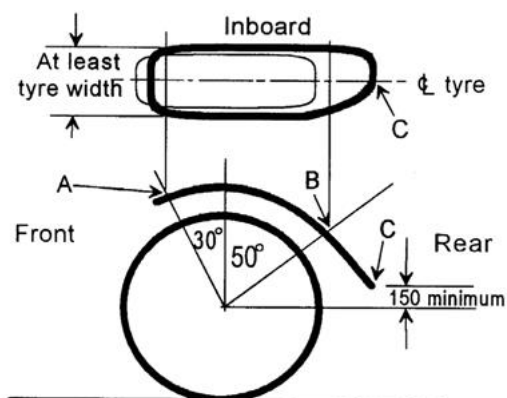


Figure 1 Passenger Car Requirements

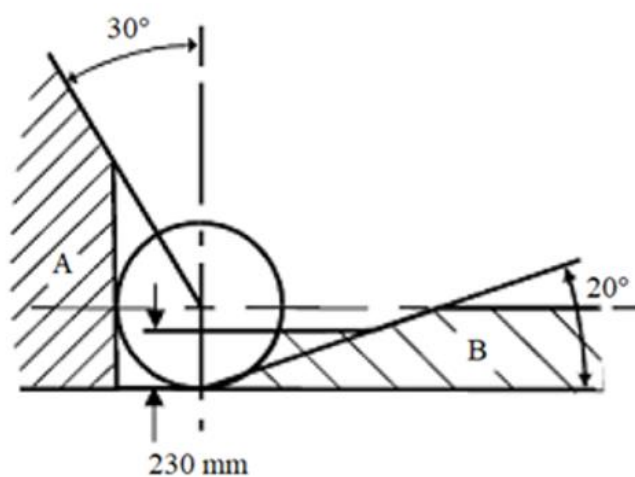


Figure 2 Off Road, Commercial Vehicle and Trailer Requirements

Mudguards and mudflaps must be capable of deflecting downwards any mud, water, stones or any other substance thrown upward by the rotation of the wheels.

Mudflaps are not normally required on passenger car type vehicles. However, mudflaps must be in place on vehicles where they form part of the wheel guard system such as on some motorcycles, including motor tricycle(s), and vehicles with a tray type body.

The mudguards on a trailer must provide continuous protection for the overall width of the tyres between a point in area **A** and a point in area **B** shown in **Figure 2**.

Coloured mudguard markings (white or silver) are required on vehicles over 2.2 metres in width and the height of the body structure at the rear is less than 300mm. An exception to this rule applies where rear marking plates or conspicuity markings are fitted – refer to **Information Bulletin V87 "Rear visibility marking on vehicles (Rear marking plates, Conspicuity markings, White or silver bands)**.