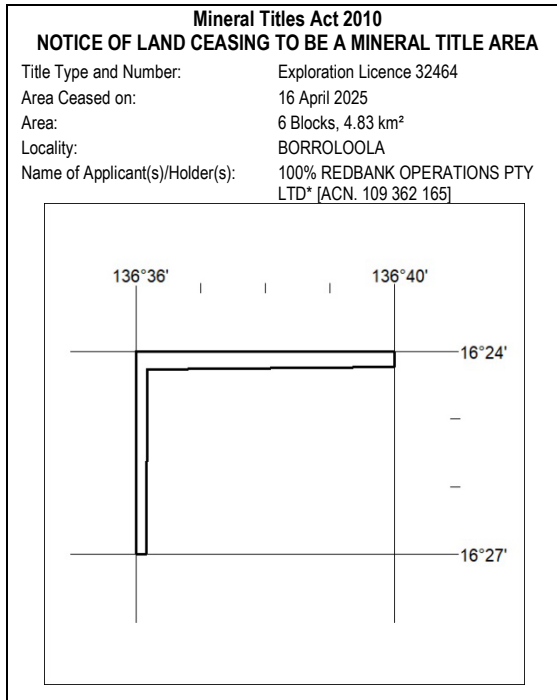


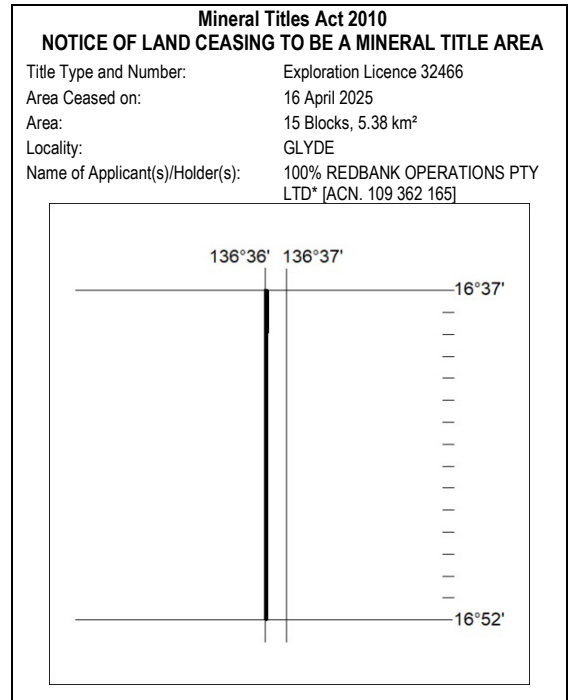
**MN42/25**

**DARWIN**

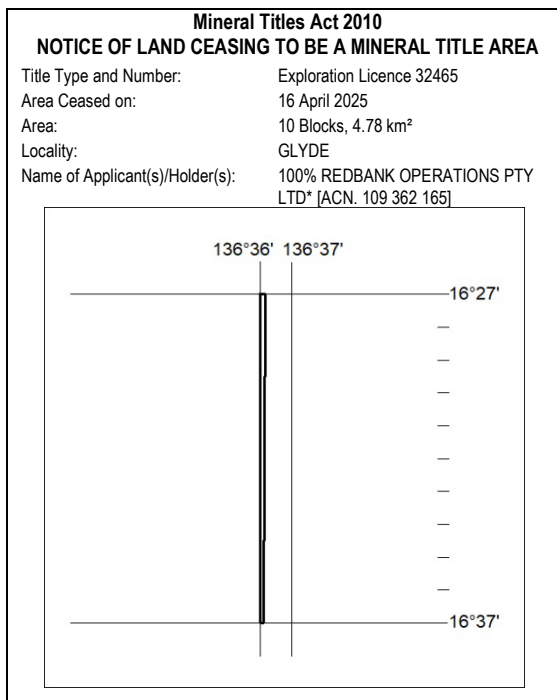
**16 April 2025**



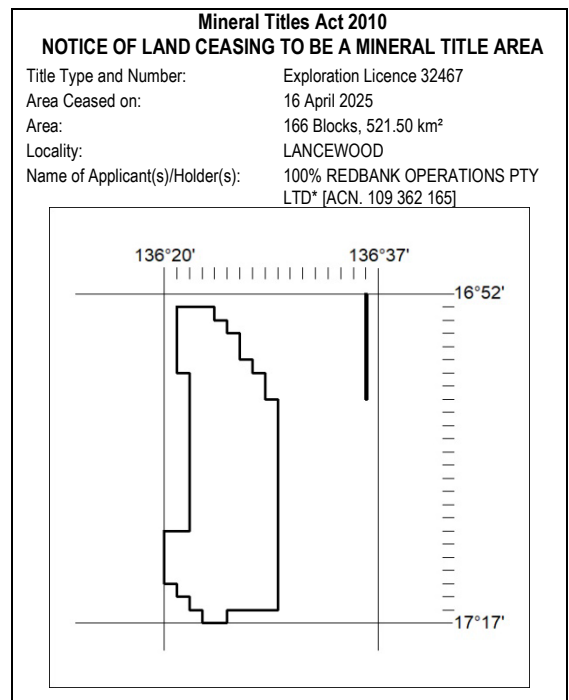
277/25



279/25



278/25



280/25

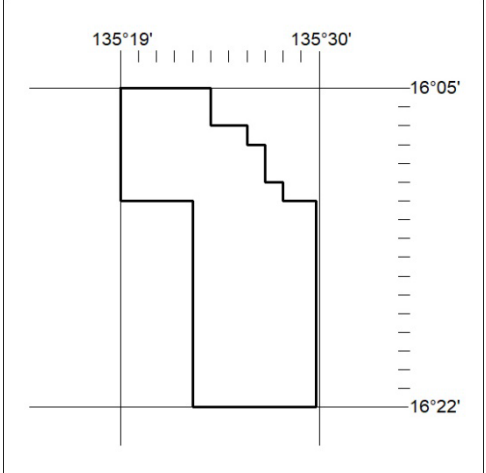
**MN42/25**

**DARWIN**

**16 April 2025**

**Mineral Titles Act 2010**  
**NOTICE OF LAND CEASING TO BE A MINERAL TITLE**  
**APPLICATION AREA**

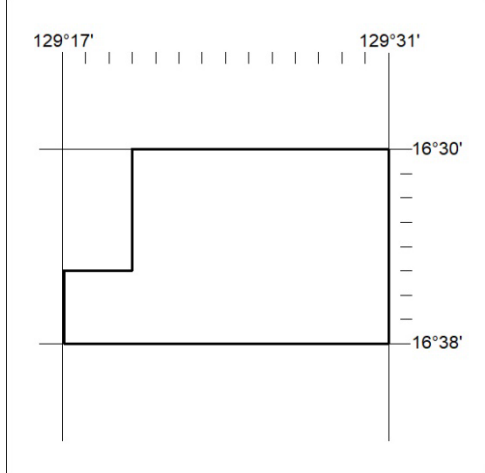
Title Type and Number: Exploration Licence 34010  
 Area Ceased on: 15 April 2025  
 Area: 119 Blocks, 386.83 km<sup>2</sup>  
 Locality: BAUHINIA DOWNS  
 Name of Applicant(s)/Holder(s): 100% G E RESOURCES PTY LTD [ACN. 096 473 737]



**281/25**

**Mineral Titles Act**  
**NOTICE OF GRANT OF A MINERAL TITLE**

Title Type and Number: Exploration Licence 34009  
 Granted: 14 April 2025, for a period of 6 Years  
 Area: 97 Blocks, 318.77 km<sup>2</sup>  
 Locality: WATERLOO  
 Name of Holder/s: 100% ROSEWOOD MINERALS PTY LTD [ACN. 653 271 179]

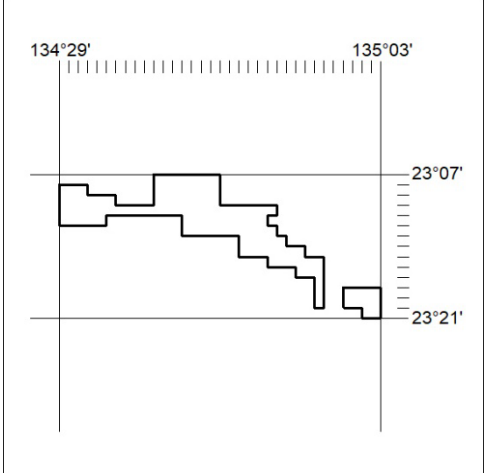


Area granted is indicated above. The titleholder is not permitted to exercise occupational rights on any land that is subject to a development title, or an application for a development title. Any land the subject of a Reserved Land gazettal under the *Mineral Titles Act* and all land vested in the Commonwealth of Australia is also excluded by description but not excised from the grant area.

**283/25**

**Mineral Titles Act**  
**NOTICE OF GRANT OF A MINERAL TITLE**

Title Type and Number: Exploration Licence 33981  
 Granted: 15 April 2025, for a period of 6 Years  
 Area: 111 Blocks, 350.34 km<sup>2</sup>  
 Locality: RIDDOCH  
 Name of Holder/s: 100% BROKERAGEDIRECT PTY LTD [ACN. 629 383 357]



Area granted is indicated above. The titleholder is not permitted to exercise occupational rights on any land that is subject to a development title, or an application for a development title. Any land the subject of a Reserved Land gazettal under the *Mineral Titles Act* and all land vested in the Commonwealth of Australia is also excluded by description but not excised from the grant area.

**282/25**