

MN95-24

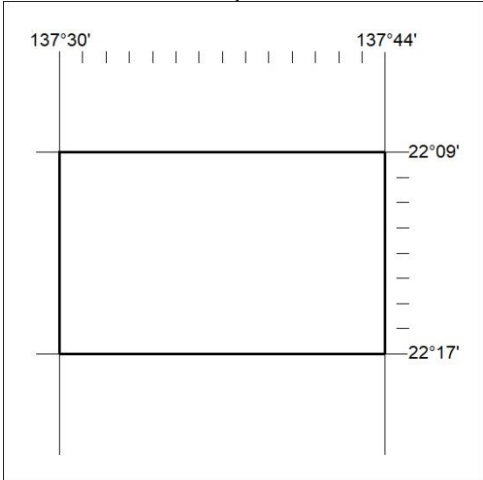
DARWIN

13 August 2024

Mineral Titles Act

NOTICE OF GRANT OF A MINERAL TITLE

Title Type and Number: Exploration Licence 33692
 Granted: 12 August 2024, for a period of 6 Years
 Area: 112 Blocks, 356.11 km²
 Locality: TOBERMORY
 Name of Holder/s: 100% GEMPART (NT) PTY LTD* [ACN. 081 859 896]



Area granted is indicated above. The titleholder is not permitted to exercise occupational rights on any land that is subject to a development title, or an application for a development title. Any land the subject of a Reserved Land gazettal under the *Mineral Titles Act* and all land vested in the Commonwealth of Australia is also excluded by description but not excised from the grant area.

246/24