

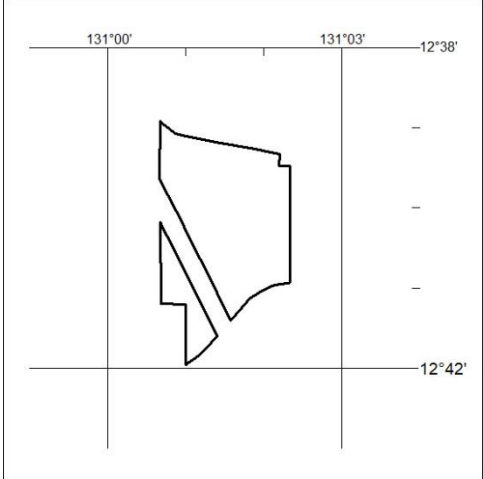
**MN50-24**

**DARWIN**

**30 APRIL 2024**

**Mineral Titles Act**  
**NOTICE OF GRANT OF A MINERAL TITLE**

Title Type and Number: Exploration Licence 33675  
 Granted: 29 April 2024, for a period of 6 Years  
 Area: 21 Blocks, 48.18 km<sup>2</sup>  
 Locality: GILES  
 Name of Holder/s: 100% TRUE FELLA PTY LTD [ACN. 162 501 920]

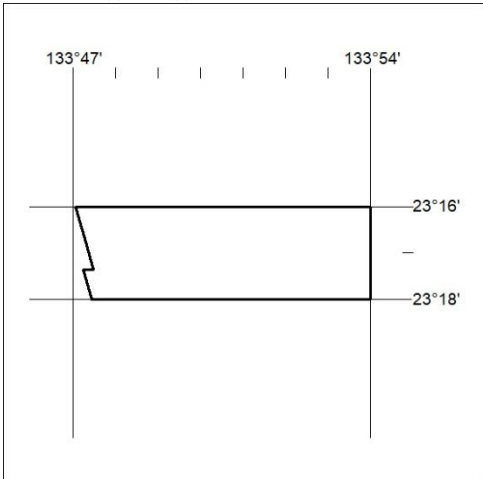


Area granted is indicated above. The titleholder is not permitted to exercise occupational rights on any land that is subject to a development title, or an application for a development title. Any land the subject of a Reserved Land gazettal under the *Mineral Titles Act* and all land vested in the Commonwealth of Australia is also excluded by description but not excised from the grant area.

176/24

**Mineral Titles Act 2010**  
**NOTICE OF LAND CEASING TO BE A MINERAL TITLE AREA**

Title Type and Number: Exploration Licence 31983  
 Area Ceased on: 30 April 2024  
 Area: 14 Blocks, 42.26 km<sup>2</sup>  
 Locality: LAUGHLEN  
 Name of Applicant(s)/Holder(s): 100% MATSON Paul Richard



177/24