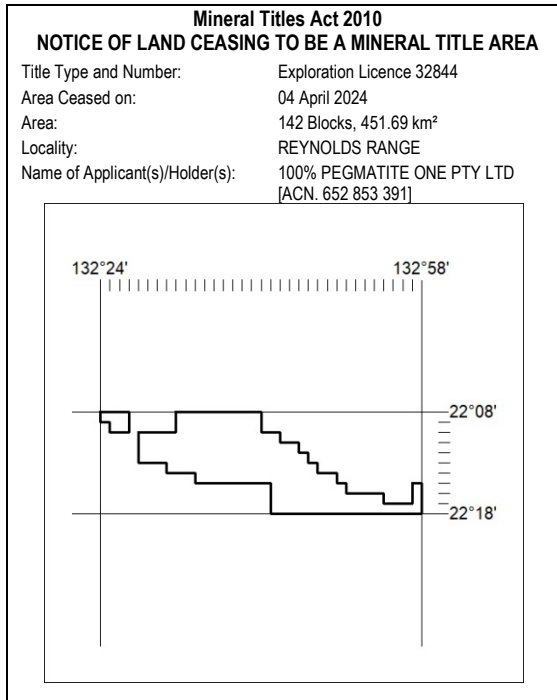


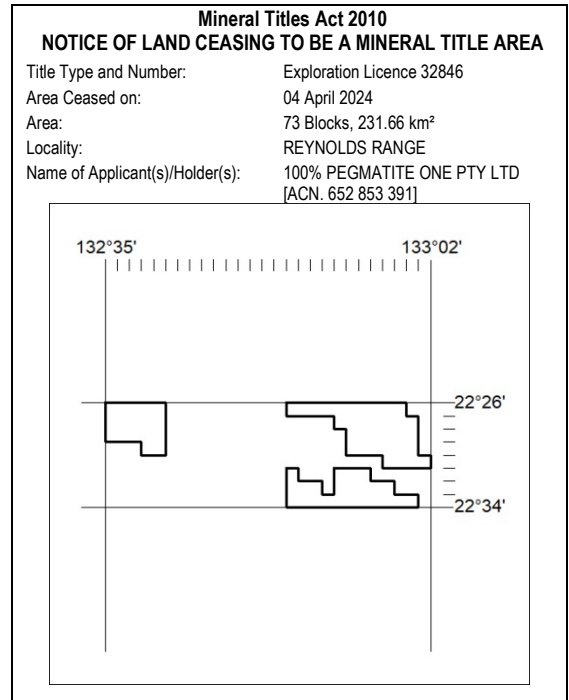
MN40/24

DARWIN

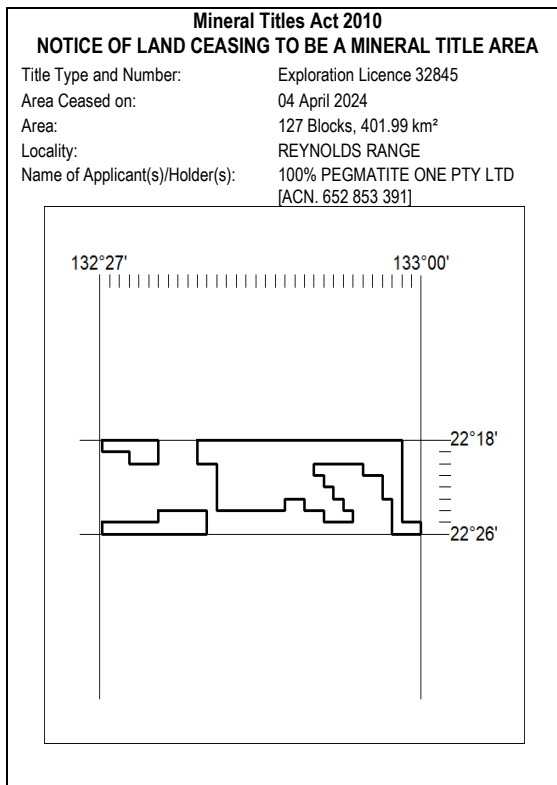
11 April 2024



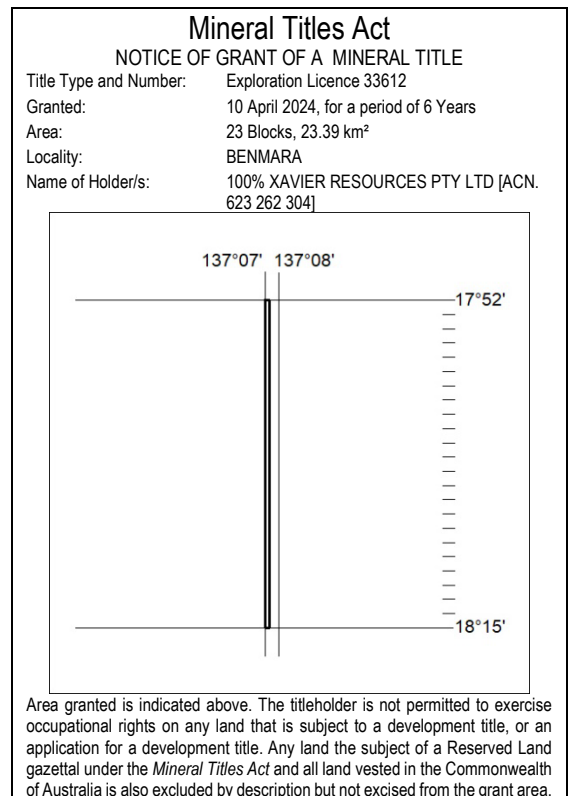
110/24



112/24



111/24



113/24

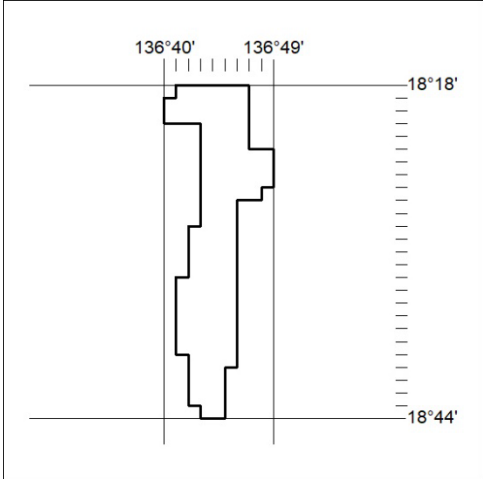
MN40/24

DARWIN

11 April 2024

Mineral Titles Act
NOTICE OF GRANT OF A MINERAL TITLE

Title Type and Number: Exploration Licence 33613
 Granted: 10 April 2024, for a period of 6 Years
 Area: 118 Blocks, 384.34 km²
 Locality: BOXER
 Name of Holder/s: 100% XAVIER RESOURCES PTY LTD [ACN. 623 262 304]



Area granted is indicated above. The titleholder is not permitted to exercise occupational rights on any land that is subject to a development title, or an application for a development title. Any land the subject of a Reserved Land gazettal under the *Mineral Titles Act* and all land vested in the Commonwealth of Australia is also excluded by description but not excised from the grant area.

114/24