

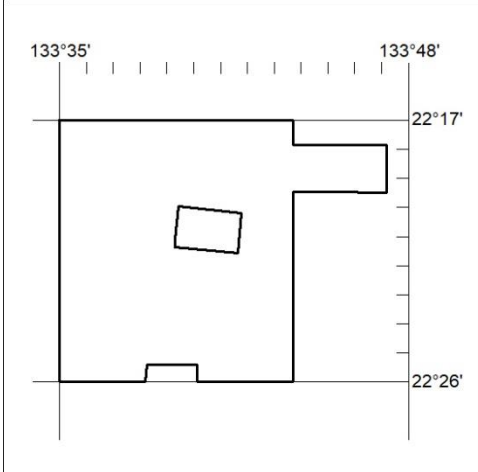
MN70/24

DARWIN

14 June 2024

Mineral Titles Act
NOTICE OF GRANT OF A MINERAL TITLE

Title Type and Number: Exploration Licence 33095
Granted: 11 June 2024, for a period of 6 Years
Area: 93 Blocks, 252.79 km²
Locality: WOOLLA
Name of Holder/s: 100% TIVAN LIMITED* [ACN. 000 817 023]

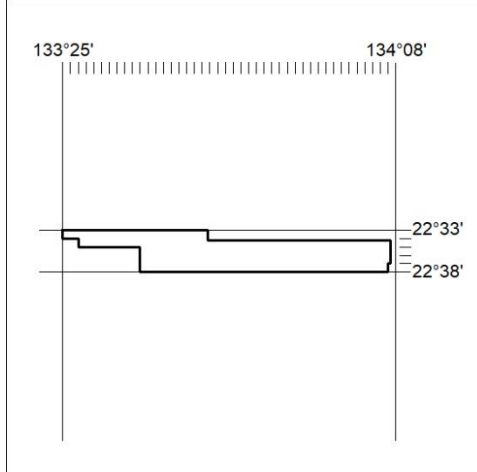


Area granted is indicated above. The titleholder is not permitted to exercise occupational rights on any land that is subject to a development title, or an application for a development title. Any land the subject of a Reserved Land gazettal under the *Mineral Titles Act* and all land vested in the Commonwealth of Australia is also excluded by description but not excised from the grant area.

251/24

Mineral Titles Act
NOTICE OF GRANT OF A MINERAL TITLE

Title Type and Number: Exploration Licence 33097
Granted: 11 June 2024, for a period of 6 Years
Area: 158 Blocks, 476.76 km²
Locality: BUSHY PARK
Name of Holder/s: 100% TIVAN LIMITED* [ACN. 000 817 023]

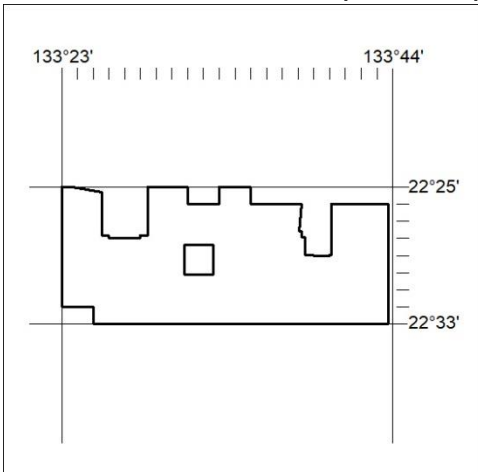


Area granted is indicated above. The titleholder is not permitted to exercise occupational rights on any land that is subject to a development title, or an application for a development title. Any land the subject of a Reserved Land gazettal under the *Mineral Titles Act* and all land vested in the Commonwealth of Australia is also excluded by description but not excised from the grant area.

253/24

Mineral Titles Act
NOTICE OF GRANT OF A MINERAL TITLE

Title Type and Number: Exploration Licence 33096
Granted: 11 June 2024, for a period of 6 Years
Area: 145 Blocks, 429.05 km²
Locality: BUSHY PARK
Name of Holder/s: 100% TIVAN LIMITED* [ACN. 000 817 023]

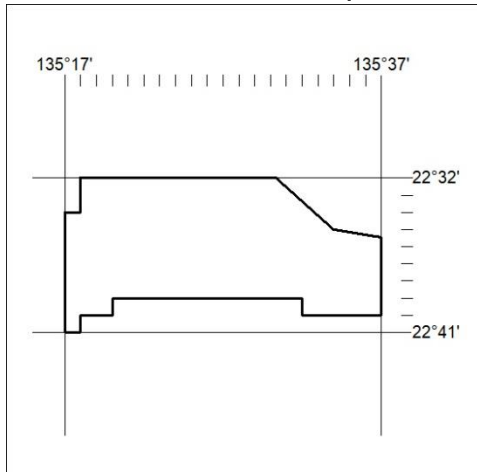


Area granted is indicated above. The titleholder is not permitted to exercise occupational rights on any land that is subject to a development title, or an application for a development title. Any land the subject of a Reserved Land gazettal under the *Mineral Titles Act* and all land vested in the Commonwealth of Australia is also excluded by description but not excised from the grant area.

252/24

Mineral Titles Act
NOTICE OF GRANT OF A MINERAL TITLE

Title Type and Number: Exploration Licence 33106
Granted: 11 June 2024, for a period of 6 Years
Area: 135 Blocks, 417.58 km²
Locality: DNEIPER
Name of Holder/s: 100% TIVAN LIMITED* [ACN. 000 817 023]



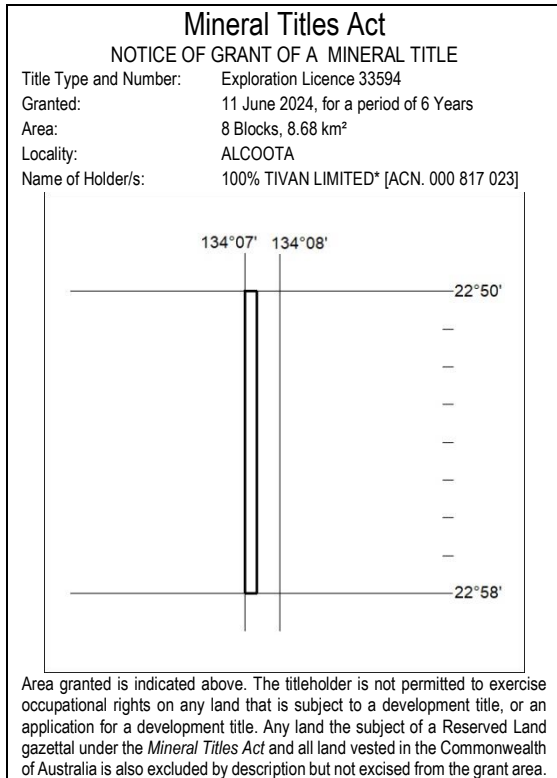
Area granted is indicated above. The titleholder is not permitted to exercise occupational rights on any land that is subject to a development title, or an application for a development title. Any land the subject of a Reserved Land gazettal under the *Mineral Titles Act* and all land vested in the Commonwealth of Australia is also excluded by description but not excised from the grant area.

254/24

MN70/24

DARWIN

14 June 2024



255/24