

MN01/26

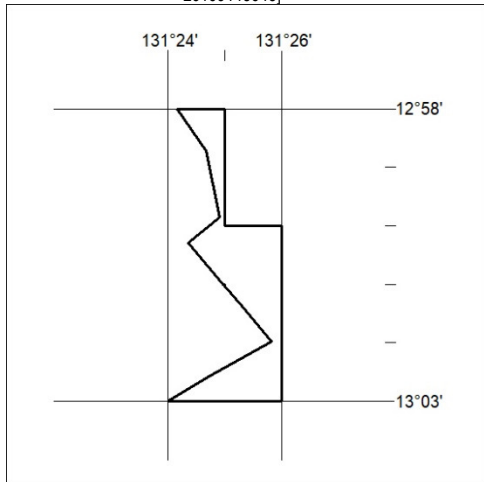
DARWIN

06 January 2026

Mineral Titles Act

NOTICE OF GRANT OF A MINERAL TITLE

Title Type and Number: Exploration License 34143
 Granted: 24 December 2025, for a period of 6 Years
 Area: 7 Blocks, 12.70 km²
 Locality: BATCHELOR
 Name of Holder/s: 100% CHALA Alexander Joseph [ACN. 26169145643]



Area granted is indicated above. The titleholder is not permitted to exercise occupational rights on any land that is subject to a development title, or an application for a development title. Any land the subject of a Reserved Land gazettal under the *Mineral Titles Act* and all land vested in the Commonwealth of Australia is also excluded by description but not excised from the grant area.

01/26