

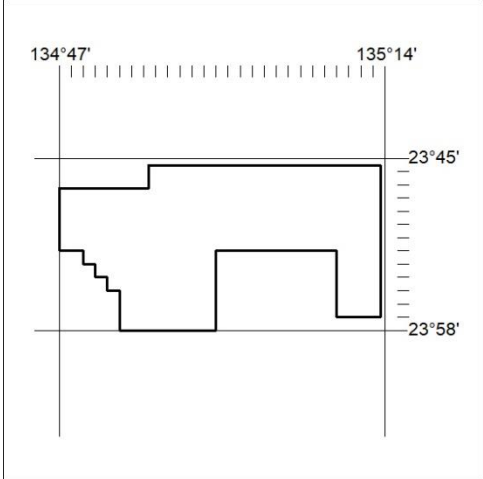
MN96/24

DARWIN

15 August 2024

Mineral Titles Act
NOTICE OF GRANT OF A MINERAL TITLE

Title Type and Number: Exploration Licence 33729
 Granted: 14 August 2024, for a period of 6 Years
 Area: 249 Blocks, 725.34 km²
 Locality: LIMBLA
 Name of Holder/s: 100% CRITICAL NEW AGE MINERALS PTY LTD [ACN. 674 060 103]

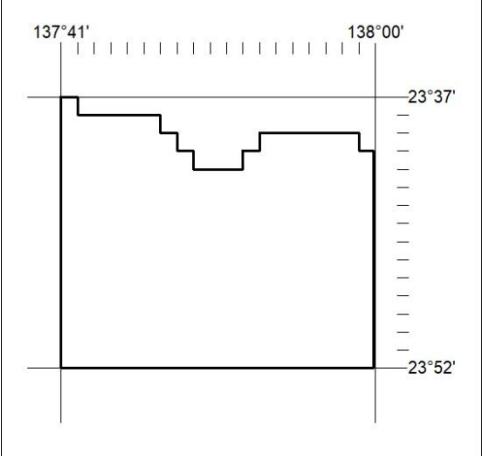


Area granted is indicated above. The titleholder is not permitted to exercise occupational rights on any land that is subject to a development title, or an application for a development title. Any land the subject of a Reserved Land gazettal under the *Mineral Titles Act* and all land vested in the Commonwealth of Australia is also excluded by description but not excised from the grant area.

247/24

Mineral Titles Act
NOTICE OF GRANT OF A MINERAL TITLE

Title Type and Number: Exploration Licence 33747
 Granted: 14 August 2024, for a period of 6 Years
 Area: 245 Blocks, 766.84 km²
 Locality: FIELD RIVER
 Name of Holder/s: 100% PLUTONIC LIMITED [ACN. 632 991 167]

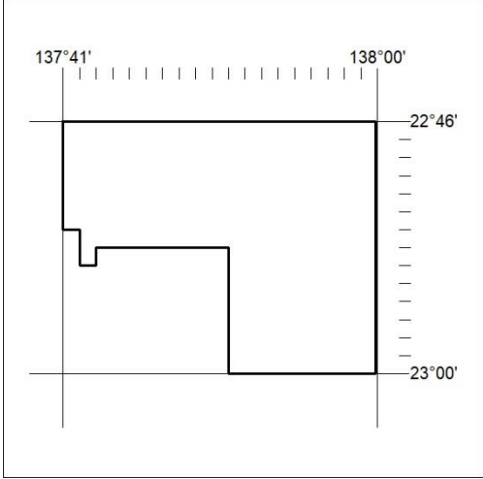


Area granted is indicated above. The titleholder is not permitted to exercise occupational rights on any land that is subject to a development title, or an application for a development title. Any land the subject of a Reserved Land gazettal under the *Mineral Titles Act* and all land vested in the Commonwealth of Australia is also excluded by description but not excised from the grant area.

249/24

Mineral Titles Act
NOTICE OF GRANT OF A MINERAL TITLE

Title Type and Number: Exploration Licence 33746
 Granted: 14 August 2024, for a period of 6 Years
 Area: 196 Blocks, 615.32 km²
 Locality: TOKO
 Name of Holder/s: 100% PLUTONIC LIMITED [ACN. 632 991 167]



Area granted is indicated above. The titleholder is not permitted to exercise occupational rights on any land that is subject to a development title, or an application for a development title. Any land the subject of a Reserved Land gazettal under the *Mineral Titles Act* and all land vested in the Commonwealth of Australia is also excluded by description but not excised from the grant area.

248/24