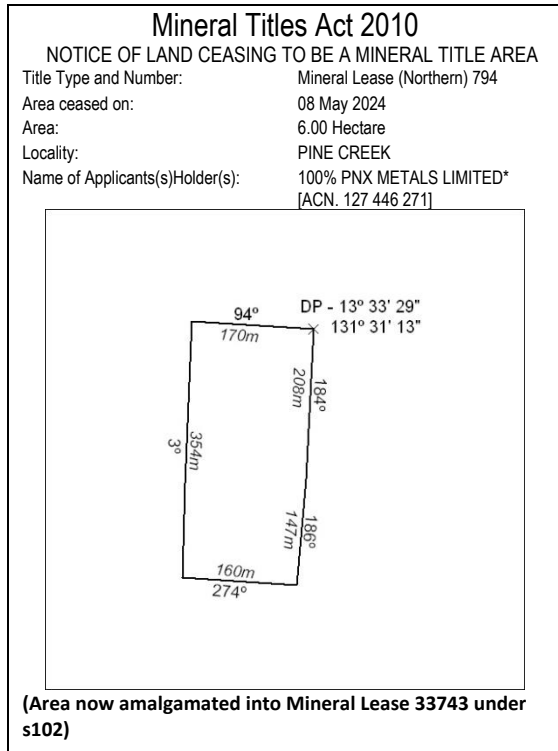


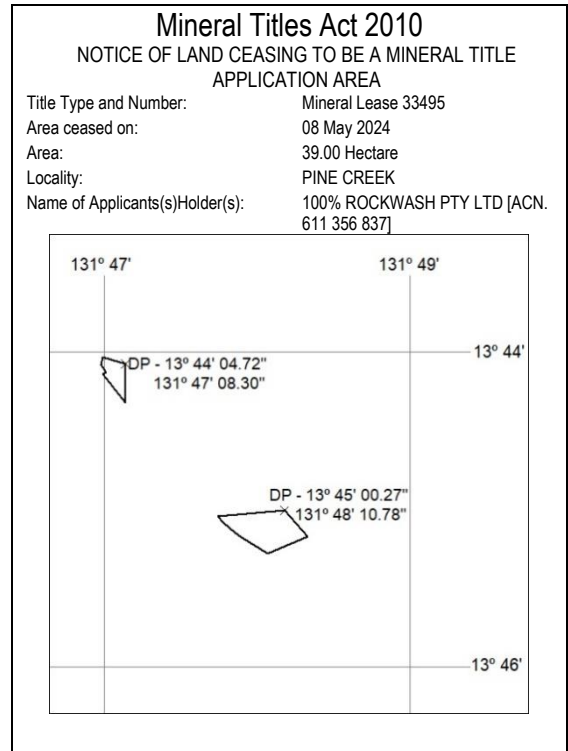
**MN53/24**

**DARWIN**

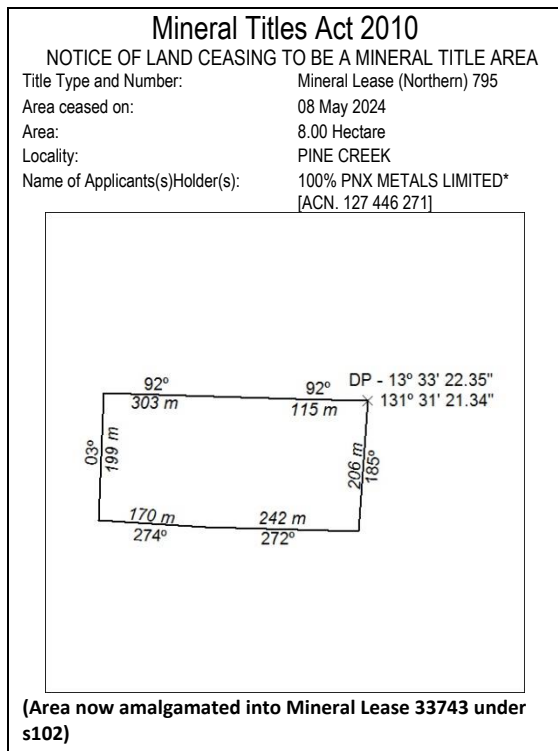
**8 May 2024**



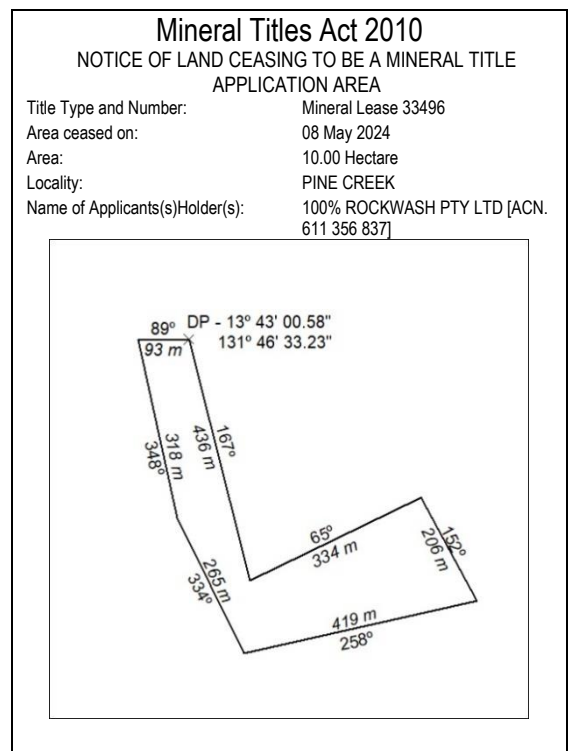
183/24



185/24



184/24



186/24

**MN53/24**

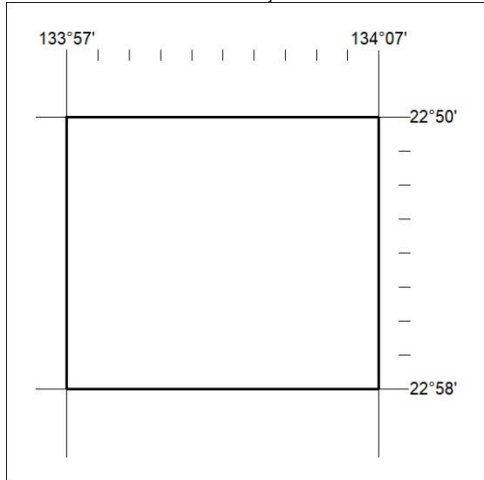
**DARWIN**

**8 May 2024**

**Mineral Titles Act**

**NOTICE OF GRANT OF A MINERAL TITLE**

Title Type and Number: Exploration Licence 33595  
 Granted: 07 May 2024, for a period of 6 Years  
 Area: 80 Blocks, 253.11 km<sup>2</sup>  
 Locality: ALCOOTA  
 Name of Holder/s: 100% PURE EXPLORATION PTY LTD [ACN.  
 669 443 636]



Area granted is indicated above. The titleholder is not permitted to exercise occupational rights on any land that is subject to a development title, or an application for a development title. Any land the subject of a Reserved Land gazettal under the *Mineral Titles Act* and all land vested in the Commonwealth of Australia is also excluded by description but not excised from the grant area.

**187/24**